
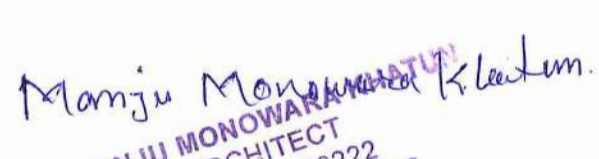



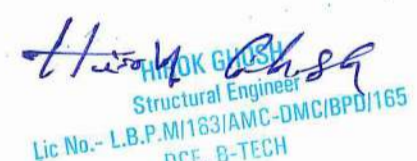
PROJECT NAME:-
 STRUCTURAL DRAWING OF PROPOSED (B+G+10) STORIED RESIDENTIAL CUM COMMERCIAL BUILDING OF MR. SADHIN GHOSH S/O LATE LAMBODHAR GHOSH MR. HARIMOY BHARATI S/O PRNOBANDU BHARATI MRS. PAPIYA CHAUDHURI DAS W/O BIBEKANDA CHAUDHURI MRS. KRISHNA MONDAL W/O ANUPAM MONDAL MRS. PLABANI GHOSH W/O MOLOY GHOSH MR. VIJIT GHOSH S/O GAJANAN GHOSH MR. PRANABENDU MISRA S/O RASAMONY MISRA MRS. JAYANTI MITRA W/O KALYAN MITRA L.R PLOT NO-545, 529, L.R. KHATIAN NO- 1805, 2921, 2930, 2929, 2664, 2636, 2637, 2635, J.L. NO-109 MOUZA-SHANKARPUR, P.S-N.T.P.S, DIST-PASCHIM BARDHAMAN, WEST BENGAL .


- NOTES :-**
- (±) 0.00 m LEVEL REFERS TO E.G.L.
 - UNLESS OTHERWISE STATED ALL CONSTRUCTION ACTIVITIES SHALL BE CARRIED OUT CONFORMING TO RELEVANT (INDIAN) STANDARD CODES OF PRACTICE.
 - ALL DIMENSIONS ARE IN MILLIMETERS & LEVELS ARE IN METER. EXCEPT OTHERWISE MENTIONED ONLY WRITTEN DIMENSIONS SHALL BE FOLLOWED. ALL LEVELS GIVEN IN STRUCTURAL DRAWINGS ARE IN ACCORDANCE WITH ARCHITECTURAL DRAWINGS AND INDICATE STRUCTURAL LEVEL ONLY (WITHOUT FINISH). HOWEVER ARCHITECTURAL DRAWING TO BE COORDINATED FOR ALL LEVELS.
 - ALL STRUCTURAL DRAWINGS SHALL BE READ ALONG WITH THIS DRAWING AS WELL AS RELEVANT ARCHITECTURAL DRAWINGS.
 - ANY DISCREPANCY IN THE STRUCTURAL AND ARCHITECTURAL DRAWINGS SHALL BE BROUGHT TO THE NOTICE OF STRUCTURAL CONSULTANT BEFORE EXECUTION OF WORK.
 - UNLESS OTHERWISE SPECIFIED ALL REINFORCEMENT TO BE USED SHALL BE TMT. BARS OF GRADE Fe-500/500 D CONFORMING TO IS-1786-2008.
 - ADEQUATE CHAIR BARS TO BE PROVIDED TO KEEP THE TOP REINFORCEMENT IN PROPER POSITION.
 - UNLESS OTHERWISE STATED LAP LENGTH OF BARS SHALL BE DEVELOPMENT LENGTH=50xBAR DIA.
 - UNLESS OTHERWISE SPECIFIED DISTRIBUTION REINFORCEMENT SHALL BE 8 T @ 250 C/C
 - CONCRETE COVER TO MAIN REINFORCEMENT SHALL BE AS FOLLOWS:-
 a) Beam:-25mm, b) Column:-40mm, c) Slab:-15mm, d) Footing:-50mm, e) R.C.C Wall:-20mm, f) Stair:- 20mm.
 - Grade of concrete will be M30 for column and M25 for beam and sub structure as per is: 456:2000.
 - Development length 50xD for lap & splices should be provided as per the provisions laid down in SP34:1987

SIGNATURE OF DEVELOPER/OWNER:-


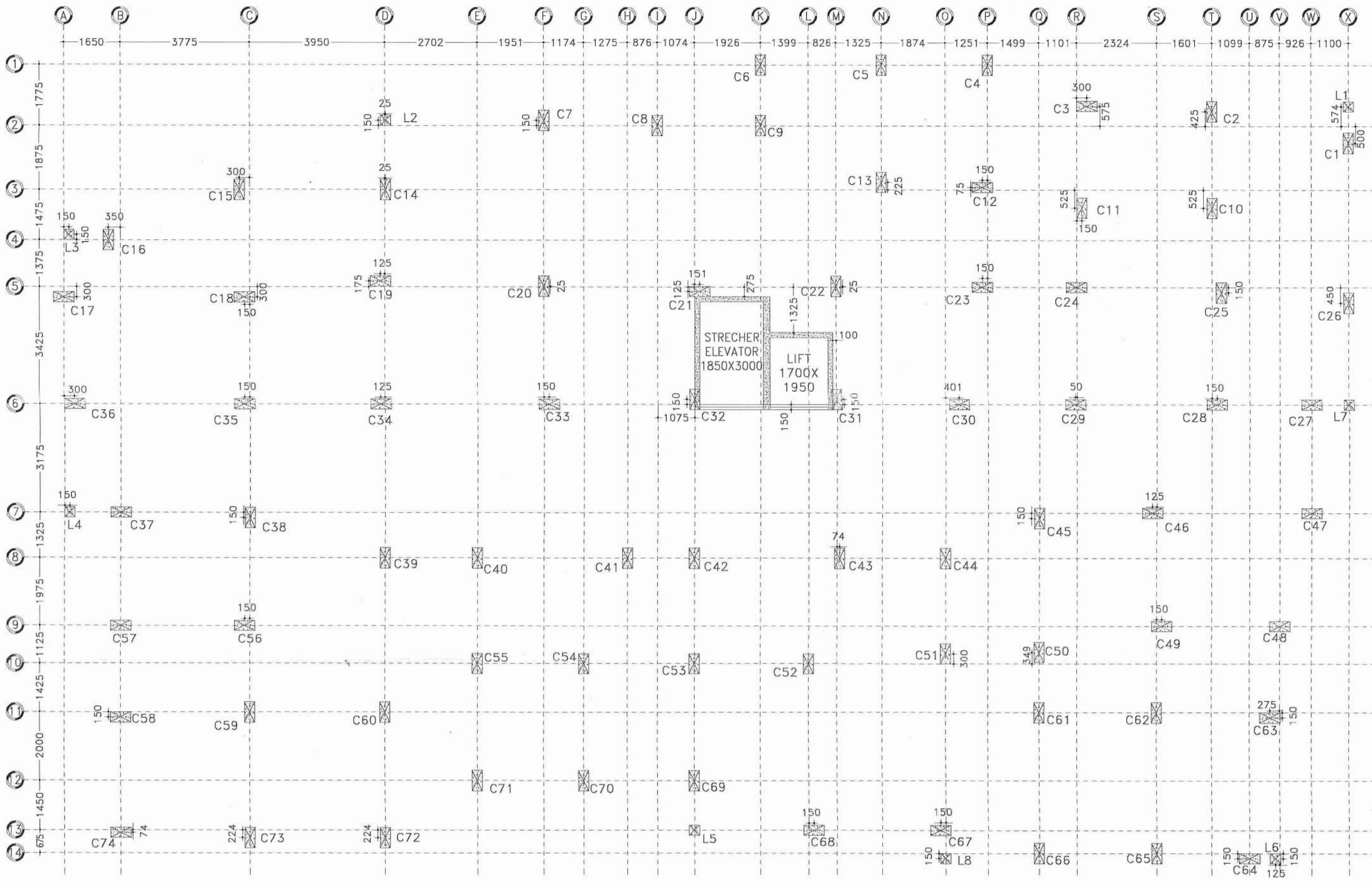
SIGNATURE OF ARCHITECT:-

 MANJU MONOWAR KALAM
 ARCHITECT
 CA/2022/146222
 GIDS, Durgapur-18

SIGNATURE OF GEO-TECHNICAL ENGINEER:-

 MANJIV MAITY
 Civil & Geotechnical Engineer
 Lic No. - L.B.P. AM153/ANC-DMCI/PPD/18
 GIDS, Durgapur-18

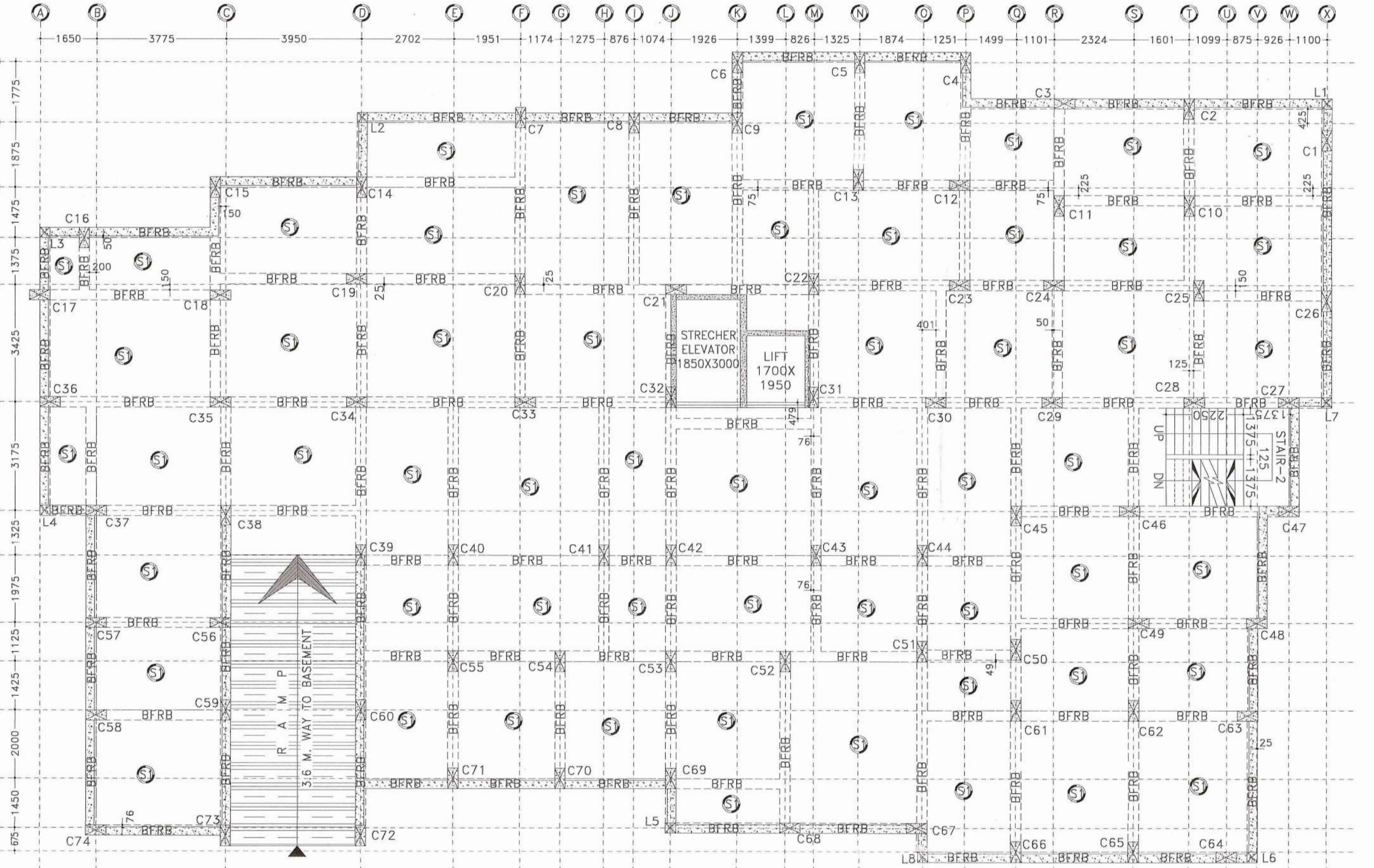
SIGNATURE OF STRUCTURAL ENGINEER:-

 Himank Ghosh
 Structural Engineer
 Lic No. - L.B.P. AM153/ANC-DMCI/PPD/18
 DCE, B-TECH

VERIFIED BY:-

 S. Akhtar
 Professor
 CIVIL ENGINEERING DEPT.
 JADAVPUR UNIVERSITY
 KOLKATA-700032, (W.B)
 Approved Plan No. 32 on Meeting No. 06/22-23 Date 23/08/2022 Valid upto 01/12/2025
 Saptasatishan Prodhan 05/10/23 Jemua Gram Panchayat

TITLE:-
 COLUMN LAYOUT PLAN, BASEMENT FLOOR ROOF BEAM LAYOUT, SCHEDULE OF COLUMN, DETAILS OF COLUMN HOOK REINFORCEMENT, STIRRUPS DETAILS, SECTIONAL DETAILS OF LIFT WALL, DETAIL OF CROSS BEAM JUNCTION, SECTIONAL DETAILS OF CUT LINTEL AND CHAJJA.
DRAWN BY:- A. BAIDHYAKAR, J. ULAL
CHECKED BY:- S AKHTAR
SCALE : 1:100, N.T.S
REV-00
DATE : 04.04.23
SHEET NO:- STRUCTURE--01-03



1 COLUMN LAYOUT PLAN
 SCALE: 1:100



1 BASEMENT FLOOR ROOF BEAM LAYOUT PLAN
 SCALE: 1:100

TABLE NO:-01 (SCHEDULE OF COLUMNS)

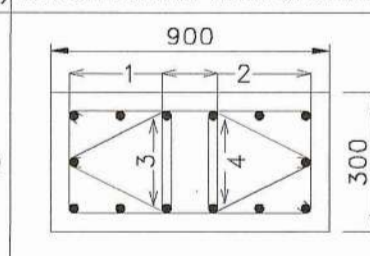
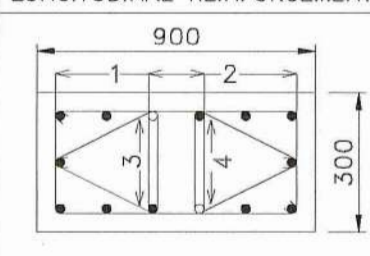
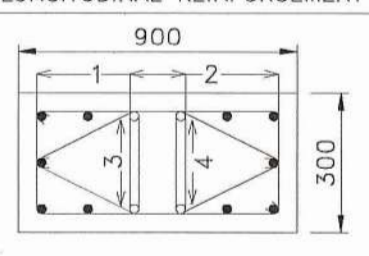
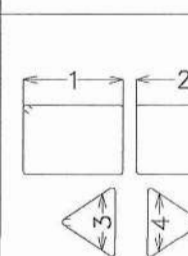
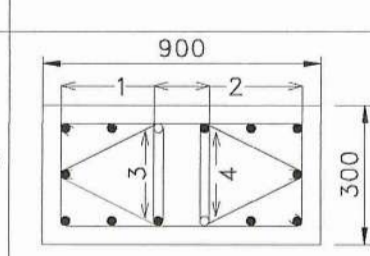
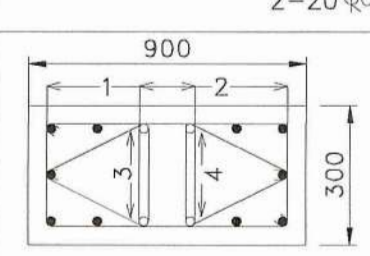
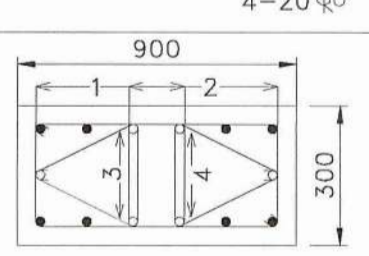
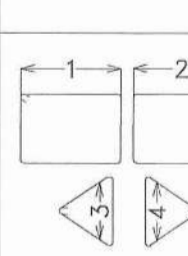
COLUMN MARKED	NO OF COLUMN	COLUMN SIZE (mm)	FOUNDATION TO 3RD FLOOR LONGITUDINAL REINFORCEMENT	4TH FLOOR TO 7TH FLOOR LONGITUDINAL REINFORCEMENT	8TH FLOOR TO ROOF LONGITUDINAL REINFORCEMENT	TIE	SHAPE OF STIRRUPS
C1,C2,C3,C4,C5,C6, C7,C11,C12,C14, C15,C16,C17,C19, C20,C23,C24,C26, C27,C36,C37,C39, C40,C44,C45,C47, C48,C50,C51,C55, C57,C58,C60,C61, C63,C64,C65,C66, C67,C68,C69,C70, C71,C72,C73,C74.	46	300X900	 REINFORCEMENT: 14-25 ϕ	 REINFORCEMENT: 12-25 ϕ , 2-20 ϕ	 REINFORCEMENT: 10-25 ϕ , 4-20 ϕ	NEAR JUNCTION (UPTO 10' LENGTH LINKS@80 ϕ /C (4 NOS. CLOSED LINK PER SET) AT REST PORTION LINKS@150 ϕ /C (4 NOS. CLOSED LINK PER SET)	
C8,C9,C10,C13,C18, C21,C22,C25,C28, C29,C30,C31,C32, C33,C34,C35,C38, C41,C42,C43,C46, C49,C52,C53,C54, C56,C59,C62.	28	300X900	 REINFORCEMENT: 12-25 ϕ , 2-20 ϕ	 REINFORCEMENT: 10-25 ϕ , 4-20 ϕ	 REINFORCEMENT: 8-25 ϕ , 6-20 ϕ	NEAR JUNCTION (UPTO 10' LENGTH LINKS@80 ϕ /C (4 NOS. CLOSED LINK PER SET) AT REST PORTION LINKS@150 ϕ /C (4 NOS. CLOSED LINK PER SET)	

TABLE NO:-02 (SCHEDULE OF COLUMNS)

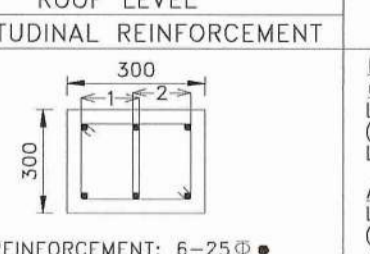
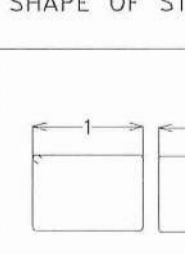
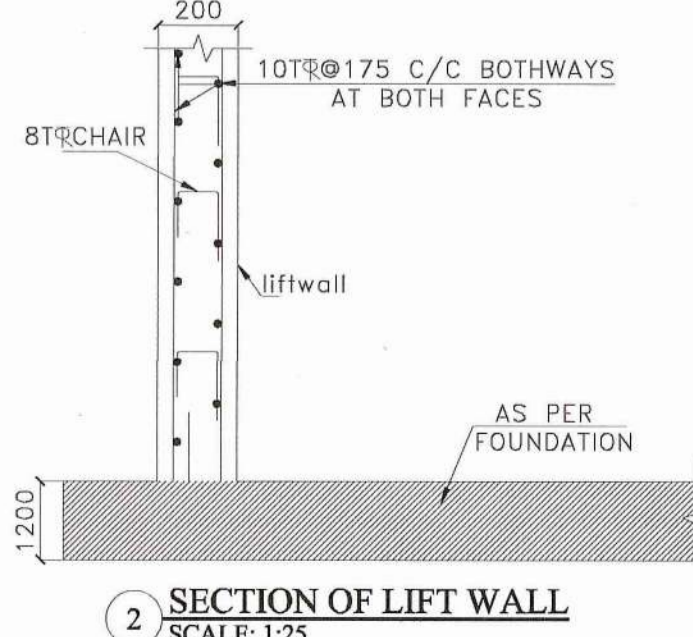
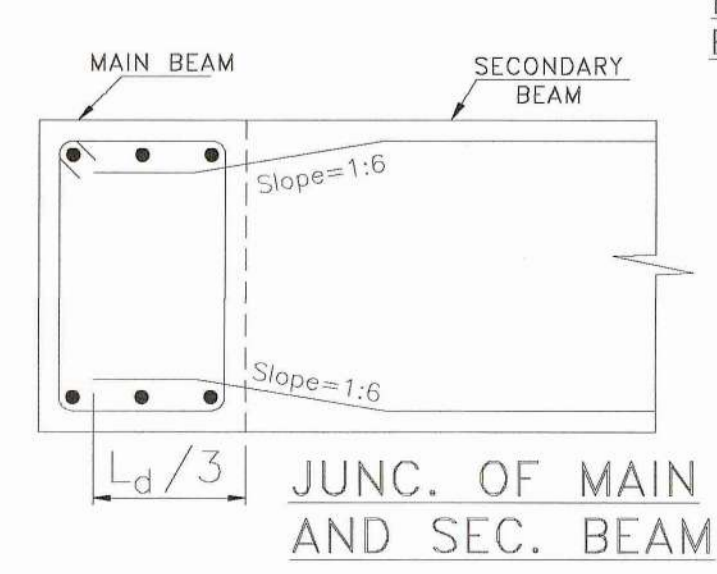
COLUMN MARKED	NOS. OF COLUMN	COLUMN SIZE (mmxmm)	FOUNDATION TO BASEMENT ROOF LEVEL LONGITUDINAL REINFORCEMENT	TIE	SHAPE OF STIRRUPS
L1,L2,L3,L4, L5,L6,L7,L8.	08	300X300	 REINFORCEMENT: 6-25 ϕ	NEAR JUNCTION (UPTO 10' LENGTH LINKS@80 ϕ /C (2 NOS. CLOSED LINK PER SET) AT REST PORTION LINKS@150 ϕ /C (2 NOS. CLOSED LINK PER SET)	

TABLE NO:-01 (SCHEDULE OF BASEMENT FLOOR BEAM)

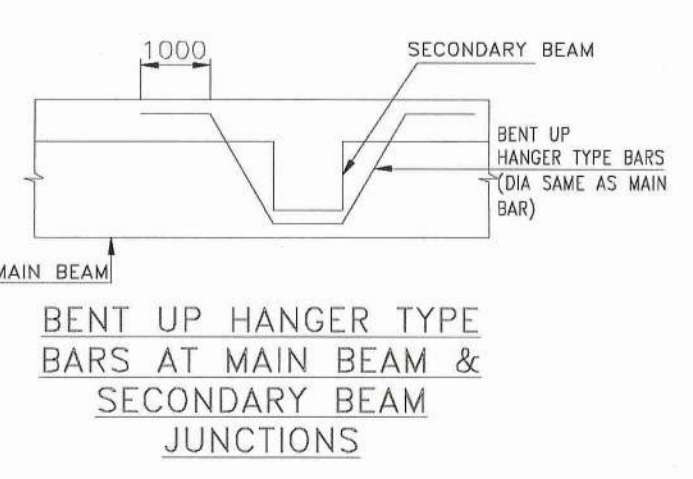
Beam Mkd	Size	All Through	Ext. at End Supp. Top	Ext. at Both Span (a)	Ext. at Cont. Supp. Top (b)	STIRRUPS
BFRB	300 500	3-25 ϕ	3-25 ϕ	2-20 ϕ	2-20 ϕ	2L-8 ϕ @125C/C 2L-8 ϕ @125C/C



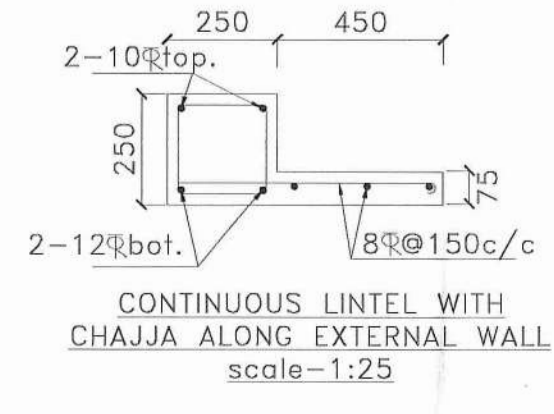
2 SECTION OF LIFT WALL
 SCALE: 1:25



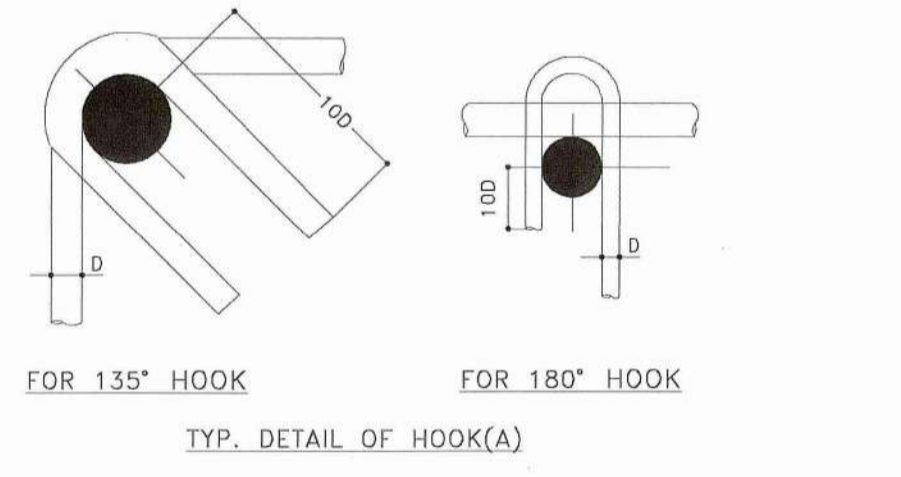
JUNC. OF MAIN AND SEC. BEAM
 SCALE: 1:25



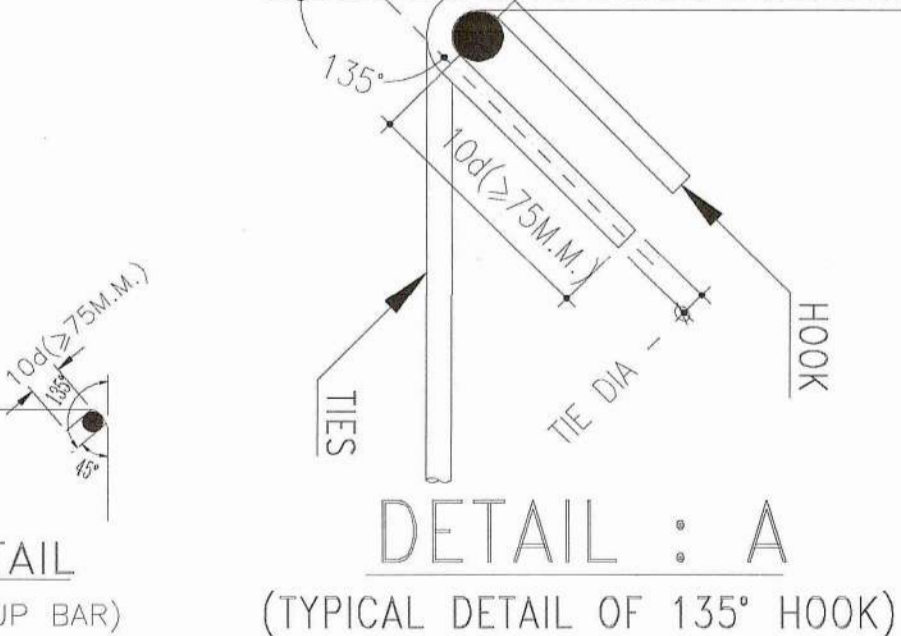
BENT UP HANGER TYPE BARS AT MAIN BEAM & SECONDARY BEAM JUNCTIONS
 SCALE: 1:25



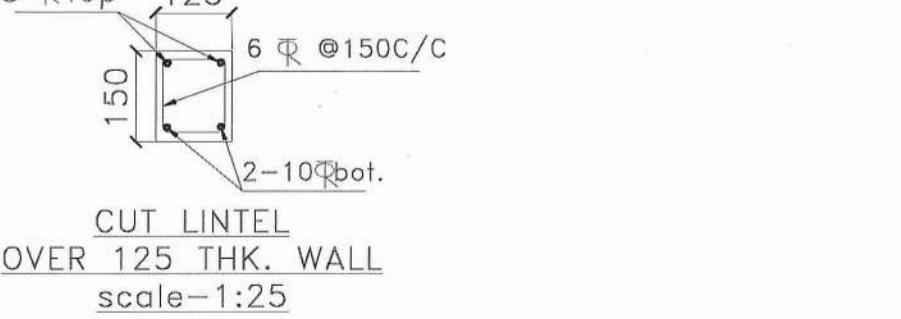
CONTINUOUS LINTEL WITH CHAJJA ALONG EXTERNAL WALL
 SCALE: 1:25



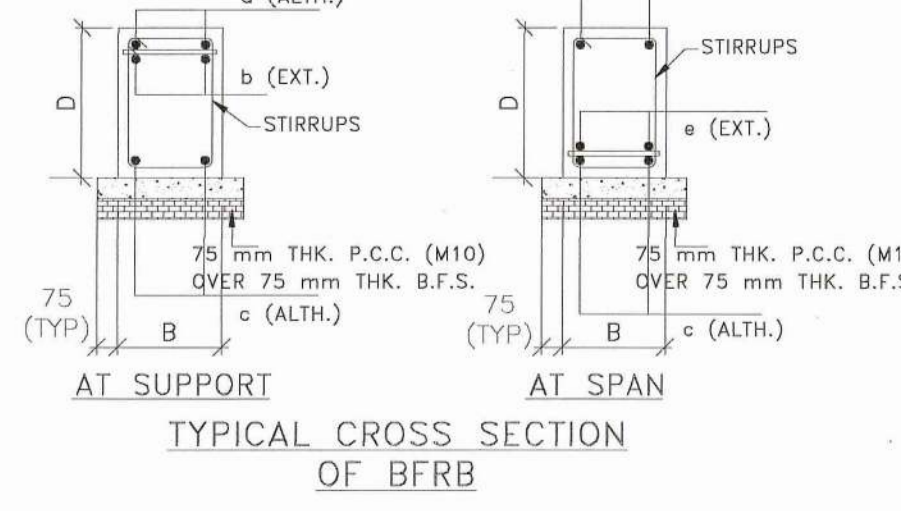
TYP. DETAIL OF HOOK(A)



DETAIL : A (TYPICAL DETAIL OF 135° HOOK)



CUT LINTEL OVER 125 THK. WALL
 SCALE: 1:25



TYPICAL CROSS SECTION OF BFRB